

imagePRESS
C170
C165

Canon
Delighting You Always

OFFICE COLOUR

PRODUCTION PRINTER



MEDIA HANDLING
FLEXIBLE



HIGH QUALITY



HIGH PRODUCTION



ECO



SECURITY



Business Can Be Simple

SIMPLY A **BETTER WAY** TO WORK

Today's marketplace necessitates the ability to be resilient and versatile while improving productivity. At the same time, meeting tight deadlines with a lean staff requires equipment that's intuitive, adaptive, and reliable while consistently producing work with minimal effort. Introducing the imagePRESS C170/C165 color production printer—an outstanding investment that's designed to deliver the workflow, user-centric control, and remarkable print quality that your essential work demands.

OUTSTANDING PRODUCTIVITY

- Production speeds of up to C165- BW65 / CL65 ppm and C170- BW80 / CL70ppm
- Up to 240/220 ipm single-pass duplex scanning at 300 dpi (color/black and white)
- 7,050-sheet¹ feeding capacity with up to six different sources²
- Wide array of productive and versatile in-line accessories²

BRILLIANT VERSATILITY

- Produce work on stocks up to 350 gsm. Cover²
- Supports a variety of specialty stocks including envelopes, tabs, and long sheets²
- uniFLOW support to help manage your printing engines and scanning workflows²

AMAZING QUALITY

- 2,400 x 2,400-dpi print resolution utilizing the unique R-VCSEL imaging technology
- Translucent CV Toner helps deliver vibrant images on a wide variety of stocks
- Multi D.A.T. helps produce consistent color automatically, with no operator intervention
- Loop Sensor Control helps produce high and clear image quality on heavy and long stocks

¹ Capacity based on 80 gsm A4.
² Optional accessories required.





A **POWERFUL** COMBINATION

The imagePRESS C170/C165 color digital press brings together Canon's deep understanding of the enterprise and production marketplace. Now, the features necessary for both high-end office and light production environments can be utilized in a single, cost-effective, and feature-rich device. With Canon's imagePRESS C170/C165, you'll have the resources to help advance your business—now and in the future.

OPTIMAL PRODUCTIVITY

Reach maximum production speeds of up to C170- 80/70ppm and C165- 65/65 ppm (BW/color). And the Single-pass Duplex Color Scanner converts paper documents into digital files at up to 240/200 ipm at 300 dpi (BW/color).



KEEPS RUNNING

Slowdowns and interruptions can cost time and money. That's why Canon designed the imagePRESS C170/C165 with a range of impactful features that can help maximize productivity. Outstanding toner, drum, and part yields can help you by minimizing downtime so you can complete required tasks. Even better, toner and paper can be replenished on-the-fly—no need to interrupt a job.

WIDE MEDIA SUPPORT

Print your work on the stock that makes the right impact. The imagePRESS C170/C165 supports a wide variety of media, including coated and heavy stocks up to 350 gsm. Cover.³ Extend your reach by printing on specialty stocks, including tabs, envelopes, and even long sheets up to 1,300 mm.³ A maximum paper capacity of up to 7,050 sheets⁴ helps long jobs run without having to stop for paper replenishment.

WORK EASIER

The interface was designed for maximum ease of use. Functions are quickly initiated with clearly identifiable on-screen buttons that can be organized to fit the way you work. Repetitive or complicated tasks can be assigned to a single button on the interface, speeding workflow through less manual intervention.

³ Options required.

⁴ Capacity based on 80 gsm A4; options required.

EXCEPTIONAL EASE,
EXEMPLARY UPTIME





SHARP, RICH, AMAZINGLY VIBRANT IMAGES

INNOVATION THAT DELIVERS

Canon's noted expertise in color imaging and its ongoing commitment to R&D have resulted in a range of advanced technologies that are designed to deliver outstanding image quality time after time.

MAKE A BRILLIANT IMPRESSION

This next-generation imaging solution incorporates stunning image quality at production speeds. Output crisp, color images with remarkable clarity at high speeds with the imagePRESS C170/C165 state-of-the-art R-VCSEL laser technology at 2400 x 2400 dpi.

READY FOR SMOOTH AND ROUGH SURFACES

The combination of its flexible transfer belt and Simple Transfer Adjustment technology allows the toner to fill the peaks and valleys of your textured and embossed stocks, producing high-density images for custom and premium applications.

RICH, CLEAR, VIVID IMAGES

By allowing the surface properties of the media to show through Canon's translucent CV Toner, the press can produce amazingly vibrant and vivid images across the entire sheet surface on a wide variety of media, including textured stocks.

OUTSTANDING STABILITY

Maintaining a consistent environment and automatic measuring of multigradation density patches combine to help reproduce the highlights, midtones, and shadows to your elevated expectations.



TECHNOLOGY OVERVIEW

R-VCSEL LASER TECHNOLOGY

Advanced 32-beam red VCSEL laser delivers 2,400 x 2,400 dpi, outputting detailed color images with outstanding definition at high speeds.

LOOP SENSOR CONTROL

Controls media alignment throughout printing to help maintain high quality on heavy, coated, and banner stocks.

SECURITY FEATURES

Control who has access to the device — and to which features — using a host of flexible authentication methods, such as picture log-in, PIN code, user name/ password, or card access.⁵

MULTI D.A.T. TECHNOLOGY

Multi-gradation density patches are measured and corrected during production automatically, which helps ensure consistent halftones during production.

WORKFLOW EFFICIENCY

A unique, customized experience tailored to individual preferences is delivered on a 10.1" intuitive touch-screen.



2

1

5

6

7

8

9

3

4

TRANSLUCENT CV TONER

Helps produce consistent, vivid, and crisp images on a wide range of media with a realistic, offset-like finish.

ADVANCED IMAGING TRANSFER BELT

Flexible belt presses the toner into the media, enabling a high-density image transfer onto embossed and textured stocks.

DEVICE AND FLEET MANAGEMENT⁵

Extend the functionality of the engine by adding access control, simple cloud scanning capabilities, and integrated cost tracking.

COST MANAGEMENT⁵

Apply print policies and restrict usage by user to help reduce unnecessary printing and contribute to cost efficiency.

⁵ Optional accessories may be required.



WHITE PAPER IN — CAPTIVATING PRODUCT OUT

With advanced paper handling and multiple finishing capabilities, the imagePRESS C170/C165 can handle a wide range of jobs efficiently and cost-effectively. From professional punching to folding and saddle-stitching, you can have the ability to satisfy more people and keep more in-house.

FINISHING OPTIONS



Document Inserting

Enables the insertion of slip sheets or preprinted covers for booklets and complex jobs.



Professional Punching

Ideal for manuals, reports, and presentations, this module offers numerous die patterns to take some of the manual labor out of the binding process.



Paper Folding

Offer promotional pamphlets, brochures, and more with the ability to produce Z-fold, C-fold, accordion fold, and double-parallel fold documents.



Staple Finishing

Corner and double-side staple up to 65 or 100 sheets⁶ in stacks up to 3,500 or 5,000 sheets.⁶ A side jogger helps keep media in straight or offset stacks.



Saddle Finishing

Create saddle-stitched booklets up to 80 or 100 pages⁶ on paper sizes up to 13" x 19.2". Saddle Press technology applies additional pressure when folding to help booklets exit flat.⁸



Booklet Trimming

Trim up to 1.1" off the face-side of the book for that professional-looking edge. Help maintain high productivity with a large-capacity trim waste bin and on-the-fly waste removal for continuous production.

FEEDING OPTIONS



Stack Bypass (Standard)

Provides an additional capacity of up to 250 sheets.⁶ Supports all paper types and stocks in weights up to 300 gsm. Cover and banner sheets up to 1300 mm in length.⁷



A4 Paper Deck

Designed for locations with higher enterprise work, this deck holds up to 3,500 sheets⁶ of A4-sized stocks and in weights up to 256 gsm.



POD Deck Lite

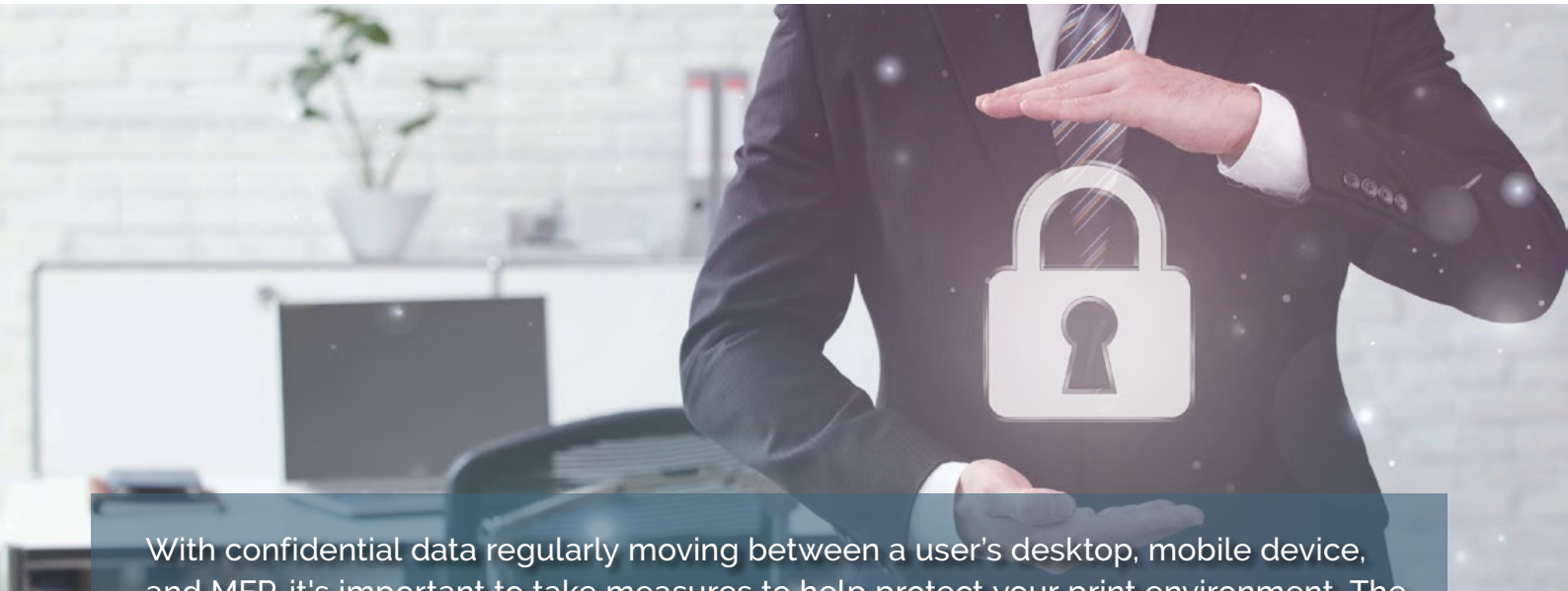
Designed for locations with space restrictions, this deck's 3,500-sheet⁶ capacity with Air Assist and Air Separation supports paper sizes up to 13" x 19.2" and envelopes in a range of sizes and weights up to 350 gsm.

⁶ Capacity based on 80 gsm A4.

⁷ Optional accessories may be required.

⁸ Saddle Press technology only available on the Booklet Finisher-W1.

SECURITY



With confidential data regularly moving between a user's desktop, mobile device, and MFP, it's important to take measures to help protect your print environment. The imageRUNNER ADVANCE platform offers a range of security capabilities to help facilitate the confidentiality, accessibility, and availability of your information.



PREVENTIVE SECURITY

Ensure your device security during initialisation with system verification at startup, which provides protection against unknown firmware from being installed. With syslog protocol, real time security information can also be fed to a third party solution for a complete monitoring protection.



DEVICE SECURITY

Canon is serious about protecting your organisation's confidential information, your ability to control access, and the availability of your company data. With multiple authentication methods to choose from, you can control and limit users access to your devices, prevent unauthorised distribution of sensitive information. Visual and audible original reminder notifications can alert you to sensitive documents that are left at the device, ensuring confidentiality.



DATA AND NETWORK SECURITY

Canon's multilayered security solutions help safeguard sensitive data stored on the device and during transmission:

- HDD Erase removes latent images after each task.
- HDD Format removes and overwrites all data on the hard drive at the end of life.
- HDD Data Encryption helps protect information even after hard drive removal and it's now FIPS 140-2 validated on select models.
- A security chip with tamper-resistant hardware can help protect passwords and encryption keys.
- IPsec helps provide security for data as it traverses the network.
- SMB3.0 provides communication route encryption, which enables files to be transmitted to SMB3.0 servers more securely.

DO MORE IN LESS TIME

EXTRAORDINARY PERFORMANCE

Powered on the Fiery FS400 system software, the imagePRESS Server M10 and L30 V2 give you the resources needed to ckle challenging and complex tasks. Out of the box, these controllers are ready with impactful tools and utilities for precise color, job management, administration, and security features.

CENTRALIZED CONTROL

From Command WorkStation's streamlined Job Center area, users can easily view the status of network servers; monitor consumable levels; preview jobs; and group, manage, and track the status of jobs. Archive Manager allows you to manage and share your archive jobs easily across all your Fiery powered imagePRESS devices from a single interface.⁹

BRILLIANT COLOR TOOLS

The powerful Spot-On utility helps remove the guesswork of color matching, offering an intuitive interface that makes it fast and easy to define and modify spot colors.

For environments that require expert color and prepress tools, the Productivity Package¹⁰ and Graphic Arts Package¹¹ provide an extensive suite of integrated tools that allow you to quickly make file and color adjustments directly at the imagePRESS Server.

⁹ Command WorkStation v6.3 or later required.

¹⁰ Not available on imagePRESS Server L30; optional on imagePRESS Server M10.

¹¹ Not available on imagePRESS Server M10; optional on imagePRESS Server L30.

¹² Optional.

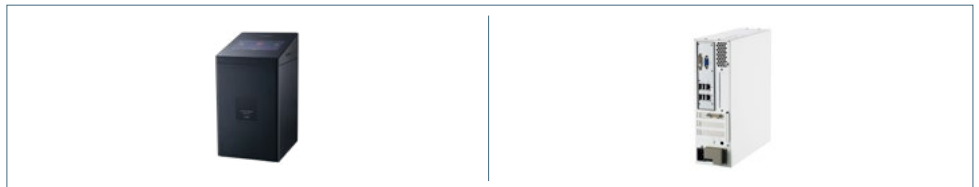
ENHANCED PRODUCTIVITY

The drivers include the Booklet-Maker feature to facilitate the production of multipage booklets. The standard Hot Folders and Virtual Printers features enable administrators to create network-accessible folders and printers that are pre-configured for specific output settings.

ROBUST DOCUMENT PRODUCTION

At the touch of a finger, Command WorkStation provides expert-level control over your document workflows. Advanced prepress capabilities can be added through Fiery Impose,¹² Compose,¹² and JobMaster,¹¹ which combine feature-rich document imposition and composition tasks into an integrated user interface.

SERVER COMPARISON



FIERY SERVER	EXTERNAL- IMAGEPRESS SERVER L30 V2	EMBEDDED- IMAGEPRESS SERVER M10 V2
Fiery System Software	Fiery FS400	Fiery FS400
Fiery Platform	NX One	E ⁴⁰⁰
CPU	Intel® Core™ i3-6100 Processor, 3.7 GHz	Intel® Pentium® G4400 Processor (3.3 GHz)
Operating System	Windows 10 IoT Enterprise 2019 LTSB	Linux
RAM / Hard Disk Drive (HDD)	8 GB / 500 GB SATA Removable HDD	4 GB / 500 GB SATA
Removable HDD	OPTIONAL	Not Available
VDP Formats	PPML 2.0/2.2/3.0, PDF/VT-1, PDF/VT-2, VPS, Fiery FreeForm™	Fiery FreeForm
Adobe® PDF Print Engine (APPE)*	INCLUDED	OPTIONAL
Set Page Device, Sequential Print	INCLUDED	Not Available
PDF/X Output Intent	INCLUDED	Not Available
Fiery Edge™	INCLUDED	INCLUDED

FEATURES AVAILABLE IN OPTIONAL FIERY PACKAGES		
Integration to EFI MIS and Web-to-Print systems	INCLUDED	OPTIONAL with Fiery Productivity Package
Rush Print, Schedule Printing, Print and Process Next, Image Enhance Visual Editor, Fiery JDF	INCLUDED	OPTIONAL with Fiery Productivity Package
ImageViewer, Configurable Auto Trapping, Control Bar, Graphic Arts Filters for Hot Folders Postflight Report	OPTIONAL with Fiery Graphic Arts Package, Premium Edition	OPTIONAL with Fiery Productivity Package
Fiery Hot Folders/Virtual Printers	INCLUDED	INCLUDED
Fiery JobFlow Base	FREE	FREE with Fiery Productivity Package
Fiery JobFlow	OPTIONAL	OPTIONAL with Fiery Productivity Package
Fiery Impose	OPTIONAL	OPTIONAL
Fiery Compose	OPTIONAL	OPTIONAL
Fiery JobMaster	OPTIONAL	Not Available
Fiery Preflight, Halftone Simulation, 2-Color Print Mapping	OPTIONAL with Fiery Graphic Arts Package, Premium Edition	Not Available
Fiery NX One Station (Fiery work stand, Fiery Ticker, 22" monitor, wireless keyboard and mouse)	OPTIONAL	Not Available

* Updated with enhancements and service releases on an ongoing basis

For more information on all of the features, see the imagePRESS Server L30 V2 and M10 V2 datasheets.

GENERAL SPECIFICATIONS	
Type	A3 Color Laser Multifunctional
Core functions	Print, Copy, Scan, Send, Store and Optional Fax
Printing method	Colour Laser Beam Printing
Paper capacity (80 gsm)	<u>Standard:</u> 2 x 1100-sheet cassettes 2 x 550-sheet cassettes <u>Optional Multi-purpose tray:</u> 250 sheets <u>POD Deck Lite-C1 (A4/ A3 / SRA3):</u> 1 x 3,500 sheet side paper deck
Max paper input capacity	7,050 sheets (A4/A3)
Max paper output capacity	4,250 sheets (A4, 80 gsm)
Supported media types	<u>Paper Cassettes (1/2):</u> Thin, Plain, Recycled, Thick, Color, Transparency, Pre-punched, Letterhead, Bond <u>Paper Cassettes (3/4):</u> Thin, Plain, Recycled, Thick, Color, Tab, Transparency, Bond, Pre-punched, Letterhead, Envelope <u>Optional Multi-purpose tray:</u> Transparency, Label, Postcard, Tracing, Envelope, Coated, Textured, Bond, Pre-punched, Letterhead, Tab
Supported media sizes	<u>Paper Cassette 1/2</u> Standard size: A4, B5, LTR <u>Paper Cassette 3/4</u> Standard size: A3, B4, A4, A4R, B5, B5R, A5, A5R, A6R, SRA3, 11"x17", LGL_R, LTR, LTR_R, EXE, STMT_R, 12"x18", 13"x19", 8K, 16K, 16K_R, Postcard (330 x 483 mm) Free size: 100 x 148 mm to 330.2 x 487.7 mm Envelopes: No.10 (COM10), Monarch, DL, ISO-C <u>Optional Multi-purpose tray:</u> Standard size: A3, B4, A4, A4R, B5, B5R, A5, A5R, A6R, SRA3, 11"x17", LGL_R, LTR, LTR_R, EXE, STMT_R, 12"x18", 13"x19", 8K, 16K, 16K_R, Postcard Free size: 100 x 148 mm to 330.2 x 487.7 mm Envelopes: No.10 (COM10), Monarch, DL, ISO-C
Supported media weights	<u>Paper cassette 1/2</u> : 52 to 220 gsm <u>Paper cassette 3/4</u> : 52 to 256 gsm <u>Optional Multi-purpose tray</u> : 52 to 350 gsm <u>Duplex</u> : 52 to 220 gsm
Warm-up time	From Sleep Mode : 30 seconds or less Quick Start Mode : 4 seconds or less
First copy time	Full Color : 5.4 seconds BW : 4.4 seconds
Interface type	USB : 2.0 Hi-speed Ethernet: 1000 BaseT/100Base-TX/10Base-T
Network protocol	TCP/IP* (LPD/Port 9100/WSD/IPP/IPPS SMB/FTP), IPX/SPX (NDS, Bindery), AppleTalk *IPv4/IPv6 support
Processor speed	Canon Dual Custom Processor (Shared)
Memory	Main CPU : 2 GB Image Processing CPU: 2 GB
Hard disk drive	Standard : 320 GB (Available disk space 250 GB) Maximum : 1 TB (Optional)
Control panel	10.1 inch TFT LCD WSVGA Color Touch Panel

Weight (Toner bottle included)	Approximately 271 kg
Operating environment	Temperature: 10 to 30 °C Humidity : 20 to 80 % RH (Relative Humidity)
Power Source	C165: 220 V - 240 V 50/60 Hz 10 A C170: 220 V - 240 V 50/60 Hz 11 A
Power Consumption	Maximum : C165 - 2,000 W C170 - 2,500 W Standby : 136.6 W Sleep mode : 0.9 W
Dimensions (W x D x H)	689 mm x 941 mm x 1,220 mm
Installation Space (W x D)	1,740 x 1,524 mm (with Front door open + Multi purpose tray open+ Left cover with optional COPY TRAY-R2 open)

PRINT SPECIFICATIONS	
Print Speed	(Simplex, BW/Color) C165- 65/65 ppm C170- 80/70 ppm
Data Processing Resolution	600 x 600 (Default), 1,200 x 1,200 (Up to)
Output Resolution (dpi)	2,400 dpi x 2,400 dpi
Page Description Languages	Standard : UFR II, PCL6 Option : Adobe Postscript 3
Direct Print	Direct printing available from USB memory, Advanced box, Remote UI and Web Access* Supported File Types: PDF, TIFF, JPEG, EPS, XPS *Only PDF print from websites is supported.
Printing from mobile and cloud	AirPrint, Mopria, Google Cloud Print, and Canon Print Business, and uniFLOW Online Fonts PCL fonts: 93 Roman, 10 Bitmap fonts, 2 OCR fonts, Andalé Mono WT J/K/S/T ¹ (Japanese, Korean, Simplified and Traditional Chinese), Barcode fonts ² PS fonts: 136 styles ¹ Requires optional PCL INTERNATIONAL FONT SET-A1 ² Require optional BARCODE PRINTING KIT-D1
Print Features	Suspend Job Timeout, Subset Finishing (PS only), Profile Settings, Secured Print, Watermark, Header/Footer, Page Layout, Two-sided Printing, Collating, Booklet Printing, Grouping, Mixed Paper Sizes/Orientations, Offsetting, Front/Back Covers, Toner Reduction, Poster Printing, Forced Hold Printing
Operating System	UFR II: Windows 7 / 8.1 / 10 / Server 2008 / Server 2008 R2 / Server 2012 / Server 2012 R2 / Server 2016, MAC OS X (10.7 or later) PCL: Windows 7 / 8.1 / 10 / Server 2008 / Server 2008 R2 / Server 2012 / Server 2012 R2 / Server 2016 PS: Windows 7 / 8.1 / 10 / Server 2008 / Server 2008 R2 / Server 2012 / Server 2012 R2 / Server 2016, MAC OS X (10.7 or later) PPD: MAC OS X (10.3.9 or later), Windows 7 / 8.1 / 10

COPY SPECIFICATIONS	
Copy Speed	(Simplex, BW/Color) C165- 65/65ppm C170- 80/70ppm
First-Copy-Out Time (A4)	Color : 5.9 seconds BW : 4.8 seconds
Copy Resolution (dpi)	Reading : 600 x 600 Printing : up to 2,400 x 2,400
Multiple Copies	Up to 9,999 copies
Copy Density	Automatic or Manual (9 Levels)
Magnification	25% - 400% (1% Increments)
Preset Reductions	25%, 50%, 61%, 70%, 81%, 86%
Preset Enlargements	115%, 122%, 141%, 200%, 400%

PRODUCT SPECIFICATIONS

SCAN SPECIFICATIONS

Type	Single-pass Duplexing Automatic Document Feeder
Document Feeder Paper Capacity	300 Sheets(80 gsm)
Acceptable Originals and Weights	<u>Platen</u> : Sheet, Book, 3-Dimensional Objects (Height: Up to 50 mm, Weight: up to 2kg) <u>Document Feeder</u> : 1-sided scanning: 38 to 220 gsm / 64 to 220 gsm 2-sided scanning: 50 to 220 gsm / 64 to 220 gsm
Supported Media Sizes	<u>Platen</u> : Max. scanning size: 297 x 431.8mm <u>Document Feeder</u> : A3, A4, A4R, A5, A5R, B4, B5, B5R, B6R <u>Custom Size</u> : 128.0 x 139.7 mm to 304.8 x 431.8 mm
Scan Speed (A4, BW/CL)	<u>1-sided Scanning</u> : 120 ipm /120 ipm (300dpi), 120 ipm /70 ipm (600 dpi) <u>2-sided Scanning</u> : 240 ipm /220 ipm (300dpi), 150 ipm /90 ipm (600 dpi)
Scan Resolution (dpi)	600 x 600, 400 x 400, 300 x 300, 200 x 400, 200 x 200, 200 x 100, 150 x 150, 100 x 100
Pull Scan Specifications	Color Network ScanGear2. For both Twain and WIA Supported OS: Windows 7/8.1/10/Server 2008/ Server 2008 R2/Server 2012/Server 2012 R2/Server 2016

SEND SPECIFICATIONS

Destinations	E-mail/Internet FAX (SMTP), SMB v3.0, FTP, WebDAV, Mail Box, Super G3 FAX (Optional), IP Fax (Optional)
Address book	LDAP (2,000)/Local (1,600)/One-touch (200)
Send Resolution (dpi)	600 x 600, 400 x 400, 300 x 300, 200 x 400, 200 x 200, 200 x 100, 150 x 150, 100 x 100
Communication Protocol	File: FTP (TCP/IP), SMB v3.0, WebDAV E-mail/I-Fax: SMTP, POP3
File Format	<u>Standard</u> : TIFF, JPEG, PDF(Limited Color, Compact, Apply policy, Optimize for Web, PDF A/1-b, Encrypted, Device Signature), XPS (Compact, Device Signature) <u>Optional</u> : PDF(Trace & Smooth, Searchable, User Signature), XPS(Searchable, User Signature), Office Open XML (PowerPoint, Word)

FAX SPECIFICATIONS

Optional / Standard	Optional
Maximum Number of Connection Lines	1
Modem Speed	Super G3 : 33.6 kbps G3 : 14.4 kbps
Compression Method	MH, MR, MMR, JBIG
Resolution (dpi)	400 x 400, 200 x 400, 200 x 200, 200 x 100
Sending/Recording e Size	A3, A4, A4R, A5 ^{*1} , A5R ^{*1} , B4, B5 ^{*2} , B5R ^{*1} ^{*1} Sent as A4 ^{*2} Sent as B4
FAX Memory	Up to 30,000 pages
Speed Dials	Max. 200
Group Dials/ Destinations	Max. 199 dials
Sequential Broadcast Memory Backup	Max. 256 addresses Yes

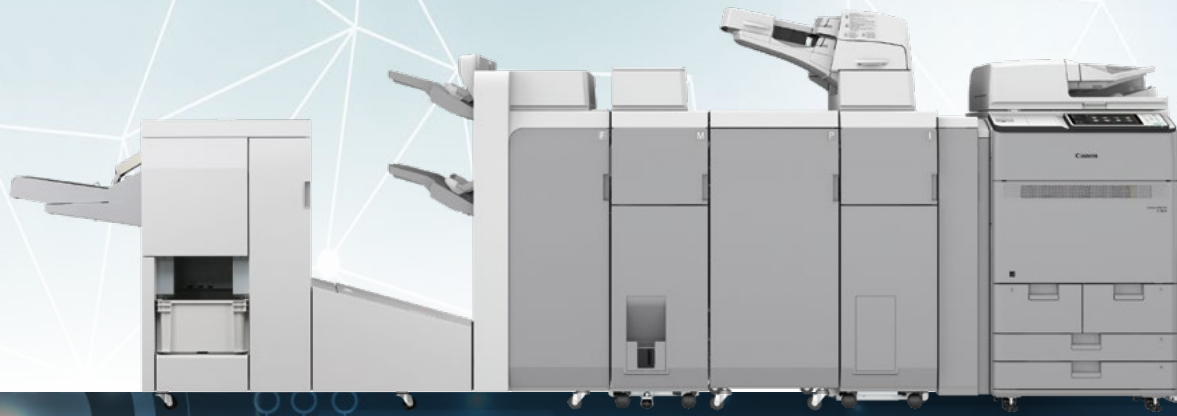
INPUT ACCESSORY SPECIFICATIONS

POD Deck Lite-C1	Paper Capacity: 3,500 sheets (80 gsm) Paper Types: Thin, Plain, Recycled, Color, Thick, Pre-punched, Label, Letterhead, Bond, Coated, Transparency, Tab, Tracing, Envelope*, Textured Paper Size: Standard size: A3, A4, A4R, A5R, B4, B5, B5R, Envelope [No.10 (COM10), Monarch, DL, ISO-C5] Custom size: 139.7mm x 148.0 mm to 330.2mm to 487.7mm Paper Weight: 52 to 350 gsm Power Source: 220-240V/1.2A 50/60Hz Dimensions: (W x D x H) 633mm x 686mm x 574 mm (attached to the main unit) Weight: Approx. 68.0 kg <small>*Requires Envelope Feeder Attachment-G1</small>
Stack Bypass Tray-D1 (Multi-purpose tray)	Paper Capacity: 250 sheets (80 gsm) Paper Types: Thin, Plain, Recycled, Thick, Color, Transparency, Label, Tracing, Envelope, Coated, Textured, Bond, Pre-punched, Letterhead, Tab Paper Size: Standard size: A3, A4, A4R, A5, A5R, A6R, B4, B5, B5R, Envelope [No.10 (COM10), Monarch, ISO-C5, DL] Envelope custom size: 90.0 x 148.0 mm to 330.2 x 487.7 mm Custom size : 100.0 x 148.0 mm to 330.2 x 487.7 mm Free size : 100.0 x 182.0 mm to 330.2 x 487.7 mm Long sheet*: 210 x 487.8 mm to 330.2 x 1,300 mm Paper Weight: 52 to 350 gsm <small>*Requires Long Sheet Tray-B1 and Stack Bypass Alignment Tray-D1</small>
Paper Deck Unit-E1	Paper Capacity: 3,500 sheets (80 gsm) Paper Types: Thin, Plain, Recycled, Color, Thick, Pre-punched, Letterhead, Bond Paper Size: A4, B5, LTR* Paper Weight: 52 to 256 gsm Power Source: From the Main Unit Dimensions: (W x D x H) 340mm x 630mm x 572 mm (attached to the main unit) Weight: Approx. 34.0 kg <small>*Media size change requires service technicians</small>

OPTIONS

Print servers	imagePRESS PS Printer Kit imagePRESS Server M10 V2 imagePRESS Server L30 V2
Feeding	Stack Bypass-D1 (Standard) Stack Bypass Alignment Tray-D1 Long Sheet Tray-B1 Letter Paper Deck Unit-E1 POD Deck Lite-C1 Tab Attachment Kit-F1 Envelope Attachment Kit-F1 Envelope Attachment Kit-G1
Finishing	Copy Tray-R2 Document Insertion Unit-N1 Insert/Fold Unit-K1 Multi Function Professional Puncher-B1 Paper Folding Unit-J1 Staple Finisher-AC1 Booklet Finisher-AC1 Jogger Kit-A1 2-/3-Hole Puncher Unit-A1 Staple Finisher-W1 Booklet Finisher-W1 Puncher Unit-BS1/BT1 Booklet Trimmer-F1

Scan the QR code
to view Canon Asia
product information



HIGH AFFINITY FOR OFFICE

SOUTH & SOUTHEAST ASIA REGIONAL HEADQUARTERS

CANON SINGAPORE PTE. LTD. 1 Fusionopolis Place Galaxis #15-10 Singapore 138522
Tel: +65-6799 8888 | Fax: +65-6799 8882
www.canon-asia.com | www.canon.com.sg

CANON SALES SUBSIDIARIES & BUSINESS PARTNERS

HONG KONG

Canon Hongkong Co. Ltd
5/F, Tower A, China Life Center,
18 Hung Luen Road,
Hung Hom, Kowloon,
Hong Kong
Tel : 852 3191 2388
Fax : 852 2369 3800
www.canon.com.hk

MALAYSIA

Canon Marketing (Malaysia)
Sdn Bhd
No.6-2-01, Tower 6,
UOA Business Park,
Jalan Pengaturcara U1/51A,
Seksyen U1
40150 Shah Alam, Selangor
Darul Ehsan, Malaysia
Tel : 1800-88-2000
Fax : 60-3-5567 9441
www.canon.com.my

INDIA

Canon India Private Limited
7th Floor, Tower B,
Building # 5,
DLF Epitome, DLF Phase III,
Gurgaon 122002
Tel : 91-124-4160000
Fax : 91-124-4160011
www.canon.com.in

PHILIPPINES

Canon Marketing
(Philippines), Inc.
7/F Commerce and
Industry Plaza,
1030 Campus Avenue Corner
Park Avenue, McKinley Hill,
Fort Bonifacio Taguig City,
Metro Manila Philippines 1634
Tel : 632-884 9090
Fax : 632-556-1456
www.canon.com.ph

INDONESIA

PT Samafitro
Jalan Ir. H Juanda No. 8
Jakarta 10120,
Indonesia
Tel : 61-21-2949 5500
Fax : 62-21-384 4271
www.samafitro.co.id

TAIWAN

Canon Marketing (Taiwan)
Co. Ltd
19F, No. 100, Sec. 2
Roosevelt Road,
Taipei, Taiwan
Tel : +886-2-6632-8888
Fax : +886-2-7725-5860
www.canon.com.tw

THAILAND

Canon Marketing (Thailand)
Co. Ltd
98 Sathorn Square Office Tower,
22nd - 24th Floor,
North Sathorn Road,
Silom, Bangrak,
Bangkok 10500
Tel : 66-2-344 9999
Fax : 66-2-344 9960
www.canon.co.th

VIETNAM

Canon Marketing (Vietnam)
Co. Ltd
Level 10, President Place,
93 Nguyen Du, Dist 1,
Ho Chi Minh City, Vietnam
Tel : 84-8-3820 0466
Fax : 84-8-3820 0477
www.canon.com.vn